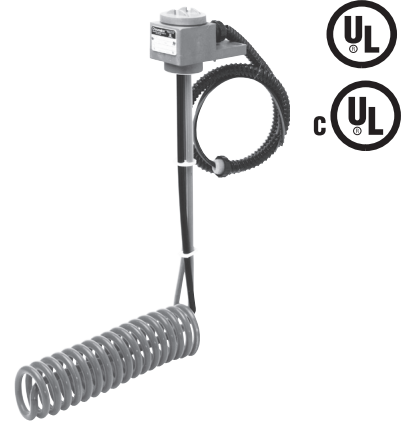
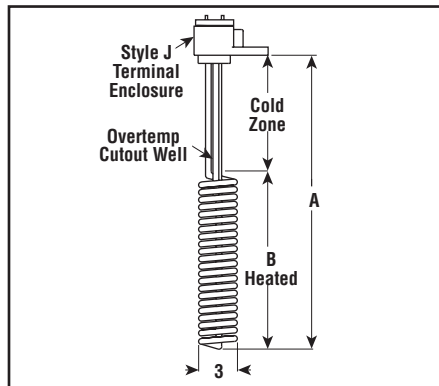


GTF & GTFL Fluoropolymer Covered Heaters

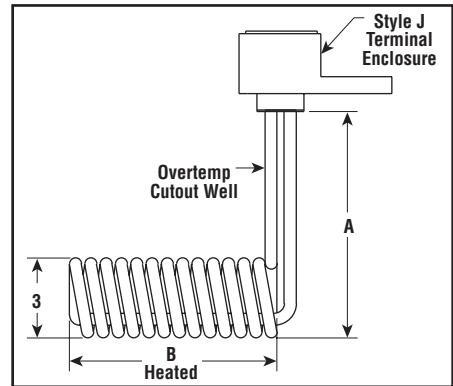
- GTF — Side Mount
- GTFL — L-Shaped
- Fluoropolymer Covered Stainless Steel Elements
- 10 W/In²
- 1- 6 kW
- 120, 240 and 480 Volt, Single Phase
- Moisture Resistant Terminal Enclosure



GTF — Dimensions (Inches)



GTFL — Dimensions (Inches)



Features

- Moisture Resistant Terminal Enclosure
- Side Mounted Vertical Construction with Mounting Bracket (GTF only)
- Side Mounted Horizontal Heater L-Shaped (GTFL only)
- Single Use Overtemperature Protection Thermal Fuse Supplied as Standard, for Process Temperatures up to 180°F (82°C)/ Fuse Temperature 219°F (104°C) Limit. For Higher Process/Fuse Temperature Limits, Consult Factory. Field Replaceable
- Resettable Overtemperature Protection Thermal Fuses also Available
- Polypropylene Guard, order separately
- Optional Riser Heights available (GTFL only)

Specifications and Ordering Information

kW	Volts	W/In ²	Phase	Dimensions (In.)		Fluoropolymer			Wt. (Lbs.)	Guard ¹ PCN
				A	B	Model	Stock	PCN		
GTF — Side Mount										
1	120	10	1	11	6	GTF-11	S	053217	7	053330
1	240	10	1	11	6	GTF-12	NS	053225	7	053330
2	240	10	1	17	10	GTF-22	S	053233	8	053348
2	480	10	1	17	10	GTF-24	S	053241	8	053348
3	240	10	1	23	14	GTF-32	S	053250	13	053356
3	480	10	1	23	14	GTF-34	NS	053268	13	053356
4	240	10	1	29	18	GTF-42	S	053276	15	053364
4	480	10	1	29	18	GTF-44	S	053284	15	053364
5	240	10	1	35	23	GTF-52	NS	053292	18	053372
5	480	10	1	35	23	GTF-54	NS	053305	18	053372
6	240	10	1	40	27	GTF-62	NS	053313	21	053380
6	480	10	1	40	27	GTF-64	S	053321	21	053380
GTFL — L-Shaped										
1	120	10	1	12	9	GTFL-11	NS	053698	8	053815
1	240	10	1	12	9	GTFL-12	NS	053700	8	053815
2	240	10	1	18	13	GTFL-22	NS	053719	9	053823
2	480	10	1	18	13	GTFL-24	NS	053727	9	053823
3	240	10	1	18	17	GTFL-32	NS	053735	13	053831
3	480	10	1	18	17	GTFL-34	NS	053743	13	053831
4	240	10	1	18	21	GTFL-42	NS	053751	16	053840
4	480	10	1	18	21	GTFL-44	NS	053760	16	053840
5	240	10	1	18	25	GTFL-52	NS	053778	18	053858
5	480	10	1	18	25	GTFL-54	NS	053786	18	053858
6	240	10	1	18	29	GTFL-62	NS	053794	21	053866
6	480	10	1	18	29	GTFL-64	NS	053807	21	053866

Stock Status: S = stock NS = non-stock

To Order—Specify model, PCN, kW, volts, phase and quantity.

1. Guard (not shown). Order separately by PCN. Guard adds approximately 1/2" to overall heater dimensions.